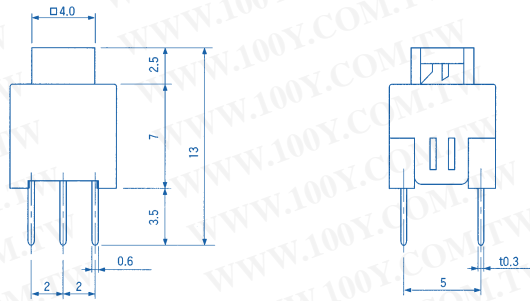
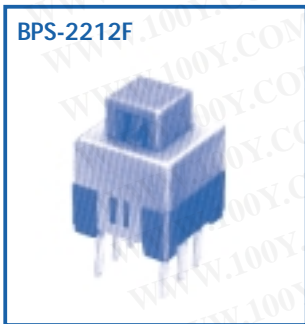
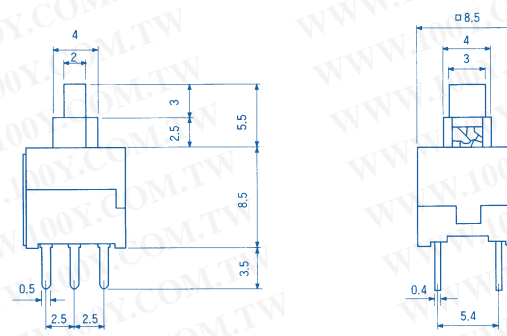
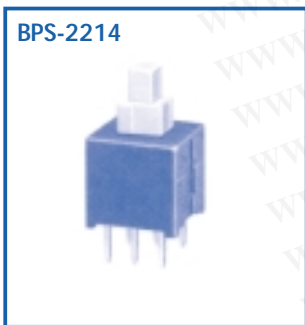


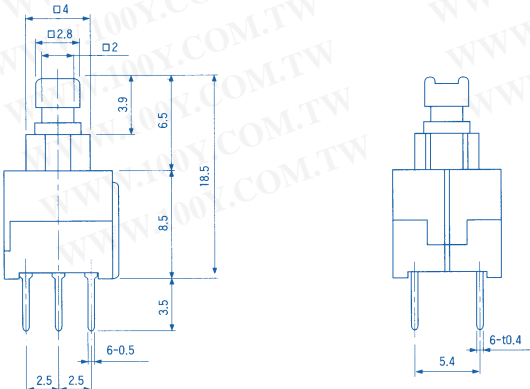
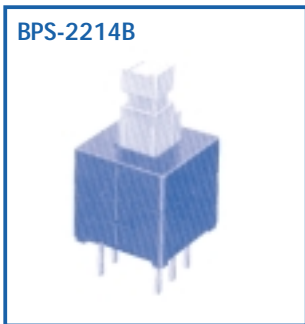
1. Rating: DC30V 0.1A
2. Circuit: 2C-2P
3. Timing: Shorting or Non-Shorting
4. Operating Mode: Self-Lock
Non-Lock
5. Stroke: Full 1.8mm
Lock 1.0mm
6. Operating Force: 200 ± 80gf



1. Rating: DC12V 0.1A
2. Circuit: 2C-2P
3. Timing: Shorting or Non-Shorting
4. Operating Mode: Self-Lock
Non-Lock
5. Stroke: Full 1.8mm
Lock 1.0mm
6. Operating Force: 200 ± 80gf



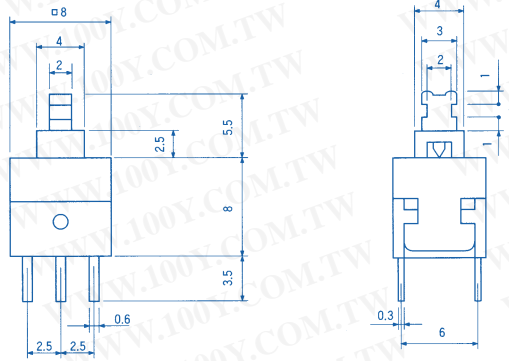
1. Rating: DC30V 0.1A
2. Circuit: 2C-2P
3. Timing: Non-Shorting
4. Operating Mode: Self-Lock, Non-Lock
Non-Lock With Click
5. Stroke: Full 2.5mm
Lock 1.5mm
6. Operating Force: 200 ± 80gf



1. Rating: DC30V 0.3A
2. Circuit: 2C-2P
3. Timing: Non-Shorting
4. Operating Mode: Self-Lock
Non-Lock
5. Stroke: Full 2.5mm
Lock 1.5mm
6. Operating Force: 200 ± 80gf

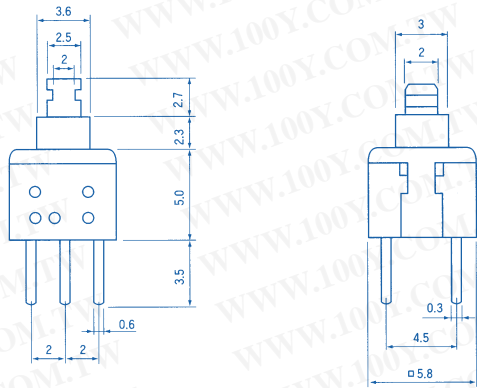


BPS-2215



1. Rating: DC30V 0.1A
2. Circuit: 2C-2P
3. Timing: Shorting or Non-Shorting
4. Operating Mode: Self-Lock, Non-Lock
Non-Lock With Clio
5. Stroke: Full 2.5mm
Lock 1.5mm
6. Operating Force: 200 ± 80 gf

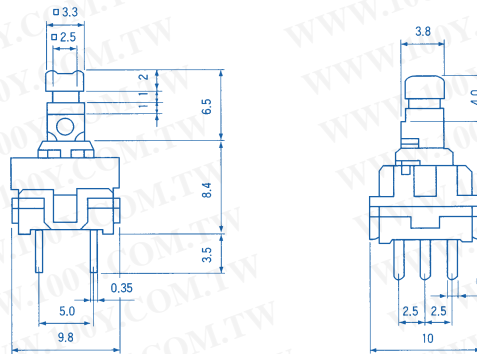
BPS-2216



1. Rating: DC30V 0.1A
2. Circuit: 2C-2P
3. Timing: Shorting or Non-Shorting
4. Operating Mode: Self-Lock
Non-Lock
5. Stroke: Full 1.9mm
Lock 1.0mm
6. Operating Force: Self-Lock 150 ± 80 gf
Non-Lock 250 ± 80 gf

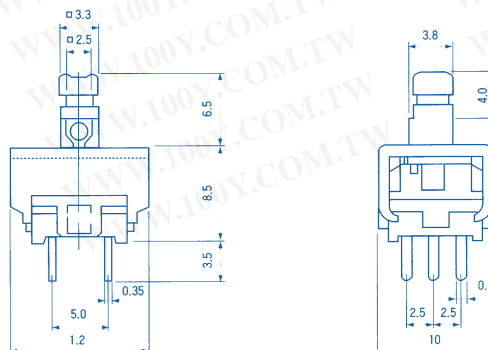
*Knob Style: 2.5

BPS-2217

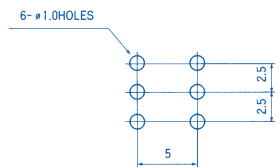


1. Rating: DC30V 0.1A
2. Circuit: 2C-2P
3. Timing: Shorting or Non-Shorting
4. Operating Mode: Self-Lock
Non-Lock
5. Stroke: Full 1.8mm
Lock 1.2mm
6. Operating Force: 200 ± 80 gf

BPS-2217A



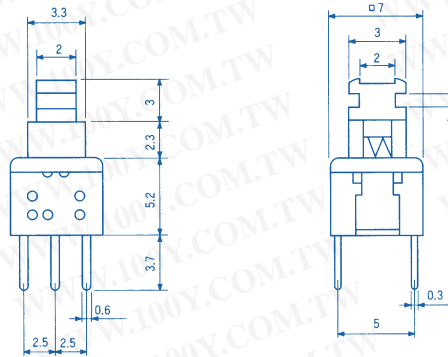
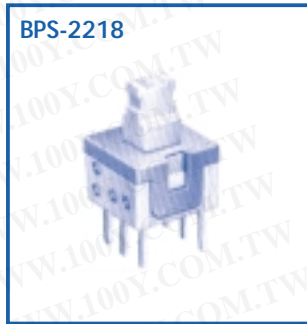
P.C.B Mounting Dimensions



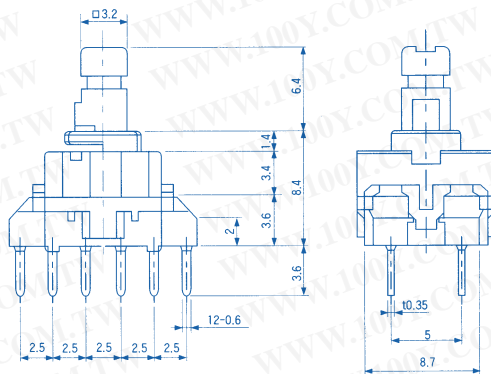


PUSH SWITCHES

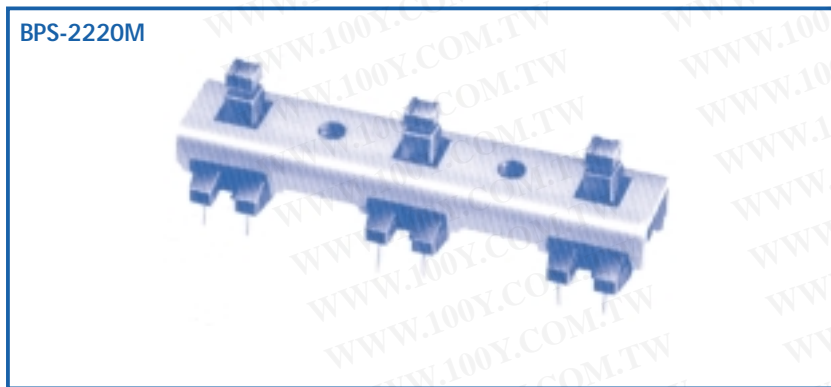
勝特力材料 886-3-5753170
 勝特力电子(上海) 86-21-54151736
 勝特力电子(深圳) 86-755-83298787
[Http://www.100y.com.tw](http://www.100y.com.tw)



1. Rating: DC30V 0.1A
2. Circuit: 2C-2P
3. Timing: Non-Shorting
4. Operating Mode: Self-Lock
Non-Lock
5. Stroke: Full 2.0mm
Lock 1.8mm
6. Operating Force: 200 ± 80 gf

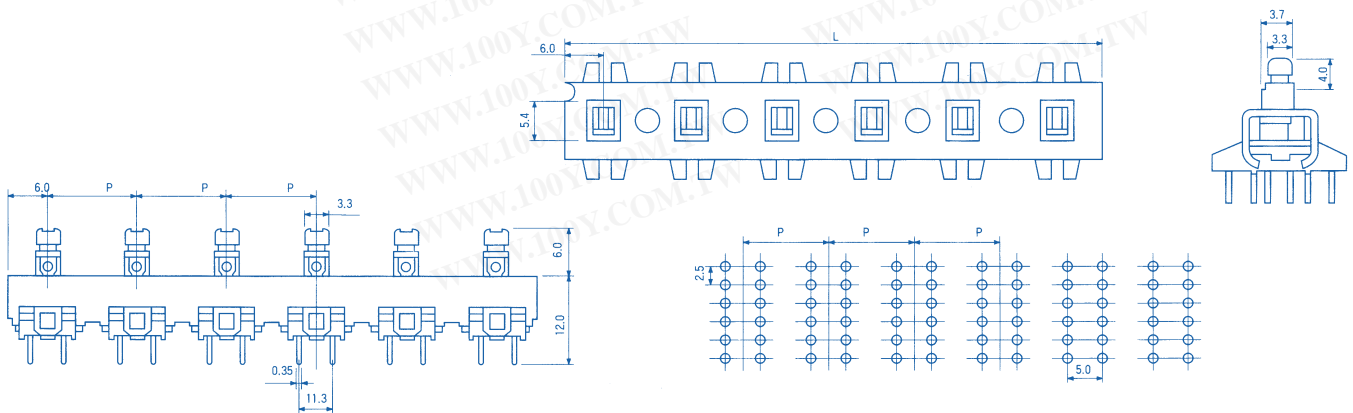


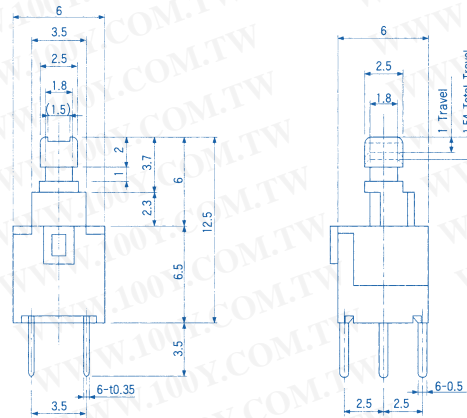
1. Rating: DC30V 0.1A
2. Circuit: 4C-2P
3. Timing: Non-Shorting
4. Operating Mode: Self-Lock, Non-Lock
Inter-Lock, Reset
5. STROKE: Full 1.7mm
Lock 1.2mm
6. Operating Force: 250 ± 100 gf
7. Terminal: P.C Board Terminal



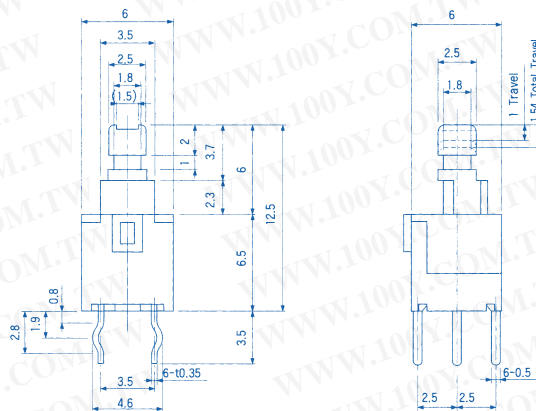
1. Rating: DC30V 0.1A
2. Timng: Non-Shorting
3. Stroke: Full 1.7mm
Lock 1.2mm
4. Operating Force: 250 ± 100 gf

		L					
	Keys	2	3	4	5	6	
Pitch		15.0	27.0	42.0	57.0	72.0	87.0
		20.0	·	2.0	72.0	·	·

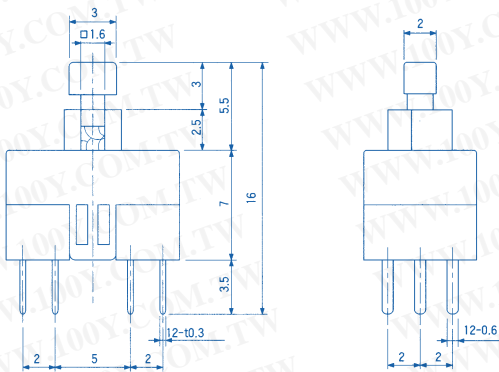




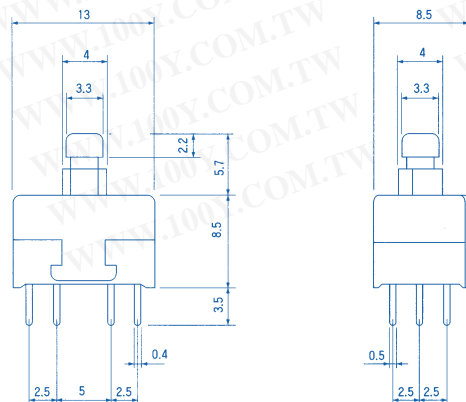
1. Rating:DC12V 0.1A
2. Circuit:2C-2P
3. Timing:Non-Shorting
4. Operating Mode: Self-Lock
Non-Lock
5. Operating Force:200 ± 100gf
6. Contact Resistance:50m Ω



1. Rating:DC12V 0.1A
2. Circuit:2C-2P
3. Timing:Non-Shorting
4. Operating Mode: Self-Lock
Non-Lock
5. Operating Force:200 ± 100gf
6. Contact Resistance:50m Ω



1. Rating:DC30V 0.3A
2. Circuit:4C-2P
3. Timing:Non-Shorting
4. Operating Mode: Self-Lock
Non-Lock
5. Stroke: Full 1.8mm
Lock 1.1mm
6. Operating Force:200 ± 80gf



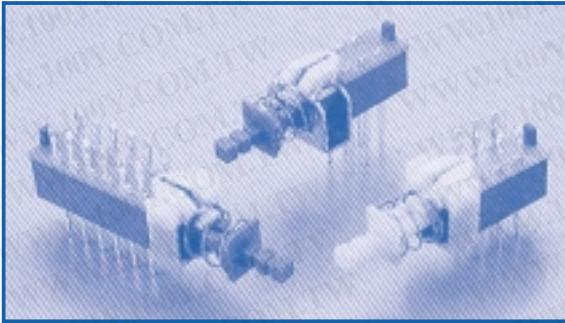
1. Rating:DC30V 0.1A
2. Circuit:4C-2P
3. Timing:Non-Shorting
4. Operating Mode: Self-Lock
Non-Lock
5. Stroke: Full 2.5mm
Lock 1.5mm
6. Operating Force:
200 ± 50gf & 350 ± 50gf



Specifications:

1. Rating: AC 100V 0.5A, AC 250V 0.2A, DC 25V 1A
2. Contact Resistance: 50m Ω at 1KHz.
3. Insulation Resistance: 100M Ω Min at 500V D.C.
4. Dielectric Strength: 1,000V AC/1 Minute
5. No. of Key: Any Keys (2-13 Keys)
6. Key Pitch: 10mm, 12.5mm, 15mm, 17.5mm, 20mm
7. No. of poles: 2, 4, 6, poles for each key.
8. Working temperature range: -20°C ~ +70°C
9. Lift test: Contact Resistance less than 50m Ω after 20,000 cycles of operation.
10. Block Combination: Whichever of Self-Locking, Inter-Locking or Non-Locking.
11. Terminal: P.C. Board terminal, wiring terminal.
12. TIMING: Non Shorting-Shorting.

HPS



HPM

